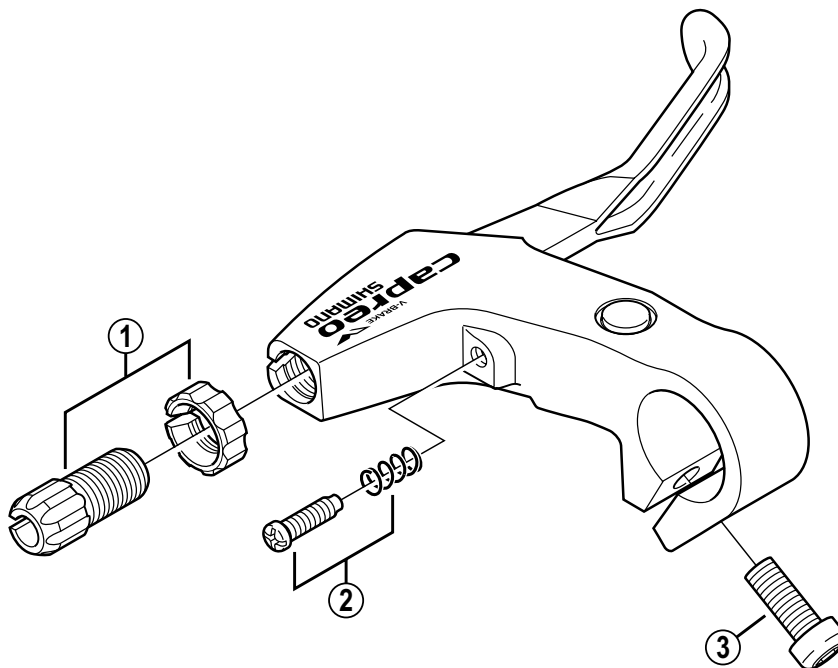


SHIMANO CAPREO V-Brake Lever

BL-F700 2-Finger



BL-M420

BL-R440

ITEM NO.	SHIMANO CODE NO.	DESCRIPTION	INTERCHANGEABILITY	
1	Y-8S6 98010	Cable Adjusting Bolt & Nut	B	B
2	Y-8ST 98010	Reach Adjusting Bolt (M4 x 14.5) & Spring	A	
3	Y-6A7 80000	Clamp Bolt (M6 x 16)	A	A

A : Same parts.

B : Parts are usable, but differ in materials, appearance, finish, size, etc.

Absence of mark indicates non-interchangeability.

0208-2178

Specifications are subject to change without notice.

SHIMANO



© 2002 by Shimano Inc.